

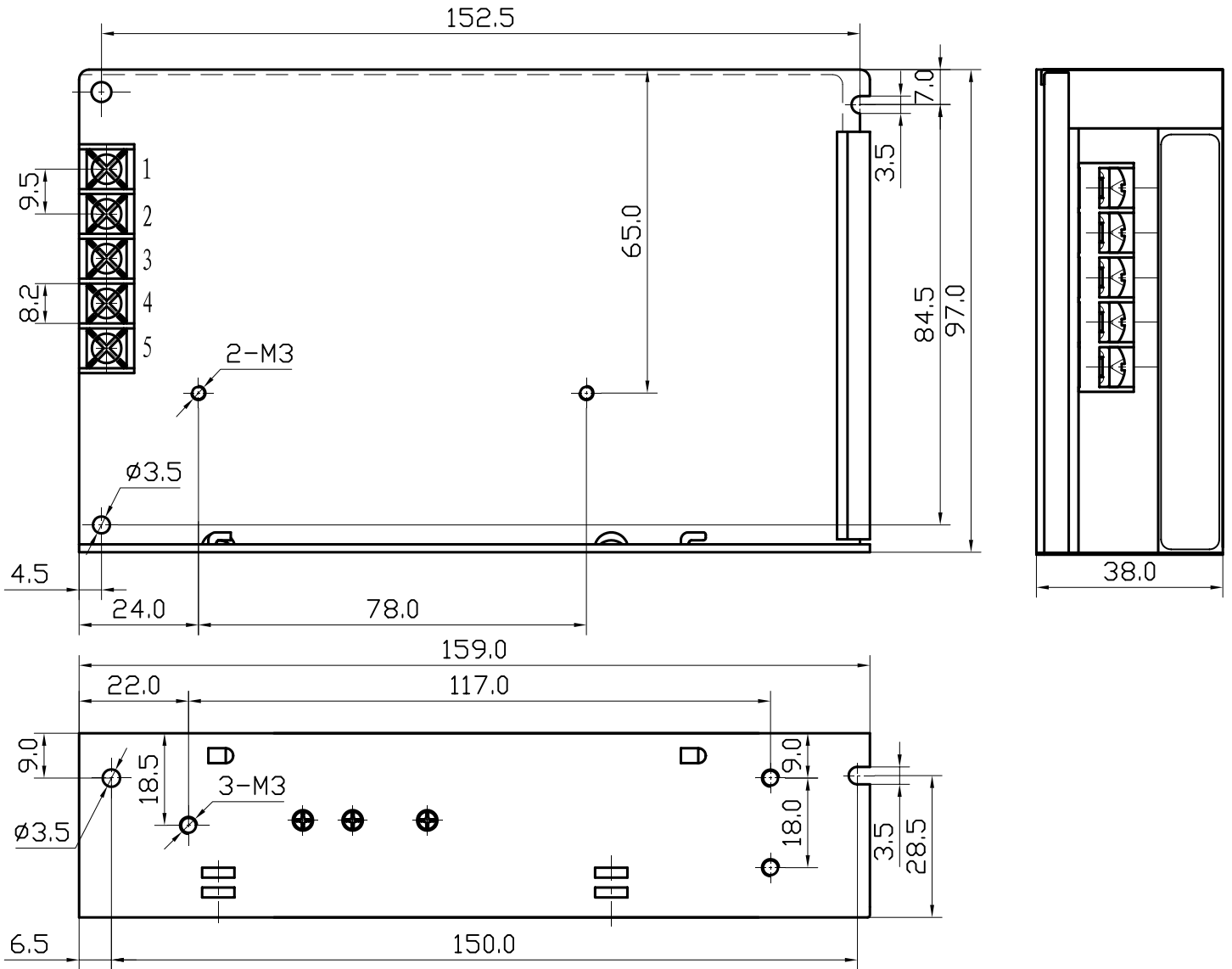
Features:

- High efficiency, high reliability
- AC input range selected by switch
- 100% full load burn-in test
- Protections: short circuit/over load/over voltage
- Cooling by free air convection
- Apply to LED lighting and LED display screen
- 1 year warranty
- Dimension : 159*97*38mm(L*W*H)



MODEL		HS-100B-5	HS-100B-7.5	HS-100B-12	HS-100B-15	HS-100B-24	HS-100B-48
OUTPUT	DC VOLTAGE	5V	7.5V	12V	15V	24V	48V
	VOLTAGE TOLERANCE	±1%	±1%	±1%	±1%	±1%	±1%
	RATED CURRENT	18A	12A	8.5A	6.7A	4.2A	2.1A
	CURRENT RANGE	0-18A	0-12A	0-8.5A	0-6.7A	0-4.2A	0-2.1A
	RATED POWER	90W	90W	102W	100.5W	100.8W	100.8W
	RIPPLE & NOISE	80mVp-p	80mVp-p	100mVp-p	100mVp-p	100mVp-p	100mVp-p
	VOLTAGE ADJ.RANGE	±10%	±10%	±10%	±10%	±10%	±10%
SETUP,RISE,	300ms,150ms,20ms						
INPUT	VOLTAGE RANGE	90~132VAC/180~264 VAC 47~63Hz					
	AC CURRENT	1.9A/115 1A/ 230 V					
	EFFICIENCY	80%	80%	83%	83%	85%	86%
	INRUSH CURRENT	Cold start 50A/230 VAC					
LEAKAGE CURRENT	<1mA/240VAC						
PROTECTION	OVER LOAD	115%~160%					
	OVER VOLTAGE	115%~135% Protection type: hiccup mode, recovers automatically after fault condition is removed					
ENVIRONMENT	WORKING TEMP	-10℃~+60℃, 20%~90 %RH					
	STORAGETEMP.HUMIDITY	-20℃~+85℃, 10%~95 %RH					
	VIBRATION	10~500Hz, 2G 10min./1 cycle, period for 60 min, each along X,Y,Z axes					
SAFETY	WITHSTAND VOLTAGE	I/P-O/P: 1.5KVAC I/P-FG 1.5KVAC O/P-FG: 0.5KVAC					
	ISOLATIONRESISTANCE	I/P-O/P, I/P-FG, O/P-FG: 100M Ohms/500VDC					
STANDARD	SAFETY STANDARDS	EN60950-1, EN61347-1, EN61347-2-13					
	EMC STANDARD	EN55022, EN55024,EN61000-3-2, EN61000-3-3,EN62384,CLASSB					
OTHERS	WEIGHT	0.51Kg					
	PACKING	30pcs/16.1Kg/0.99CUFT					
REMARK	<p>1. All parameters not specially mentioned are measured at 230VAC input, rated load and 25℃ of ambient temperature.</p> <p>2. Ripple & Noise are measured at 20MHz of bandwidth by using a 12" twisted pair-wire terminated with a 0.1μ&47μparallel capacitor.</p> <p>3. Tolerance: includes set up tolerance, line regulation and load regulation.</p> <p>4. The power supply is considered a component which will be installed into a final equipment. The final equipment must bere-confirmed that it still meets EMC directives.</p> <p>5. Concrete output current see Derating Curve.</p>						

■ Outline and Installation Dimension:



Terminal Pin.No Assignment:

Pin. No	Assignment	Pin. No	Assignment
1	AC/L	4	DC OUTPUT -V
2	AC/N	5	DC OUTPUT +V
3	FG \perp		

■ Derating Curve

