

QUICKTRONIC INTELLIGENT DALI DIM CFL

ECG dimmable DALI for CFL



Areas of application

- Suitable for emergency light installations

Product benefits

- Easy change of defect ECG thanks to available System+ Guarantee
- Easy integration in luminaire thanks to same dimensions like DALI GI ECG

DALI product features

- Control via the DALI interface
- Compliance with the DALI standard to IEC 60929 and IEC 62386
- Control input protected against overvoltage and polarity reversal (OSRAM ECG)

Touch DIM and Touch DIM Sensor function

- Manual dimming without any controller and with standard switches
- Including memory function (double click) and soft start

Product features

- Corridor function for direct connection of ECG to common motion sensor
- Corridor function with pre-programmed light program
- TouchDIM function for free parameterization of light value and turn on time
- Fit for SMART GRID for feedback of consumed mains power and lamp operating hours
- Fit for Emergency function for automatic detection of emergency lighting by ECG
- Very low standby power consumption: < 0.2 W (A1 BAT)
- Lifetime: up to 100,000 h (temperature at $T_c = 65^\circ\text{C}$, max. 10 % failure rate)
- Very high number of switching cycles: up to 300,000
- Dimming range: 1...100 % (3...100 % with compact fluorescent lamp)
- POWER2LAMP function for optimal matching of ECG power to lamp during lamp lifetime
- Line frequency: 0 Hz, 50 Hz...60 Hz, rectified AC

Technical data

Electrical data

Product description	Nominal voltage	Mains frequency	DC voltage
QTi DALI-T/E 1X18...57/220...240 DIM ¹⁾	220...240 V	50...60 Hz	154...276 V
QTi DALI-T/E 2X18...42/220...240 DIM ¹⁾	220...240 V	50...60 Hz	154...276 V

¹⁾ Optional cable clamp, see chapter ECG mountings - cable clamp

Light technical data

Product description	Starting time
QTi DALI-T/E 1X18...57/220...240 DIM ¹⁾	0.6 s ²⁾
QTi DALI-T/E 2X18...42/220...240 DIM ¹⁾	0.6 s ²⁾

¹⁾ Optional cable clamp, see chapter ECG mountings - cable clamp

²⁾ Optimized preheat start

Dimensions & weight

Product description	Length	Width	Height	Mounting hole spacing, length
QTi DALI-T/E 1X18...57/220...240 DIM ¹⁾	123.0 mm	79.0 mm	33.0 mm	129.5 mm
QTi DALI-T/E 2X18...42/220...240 DIM ¹⁾	123.0 mm	79.0 mm	33.0 mm	129.5 mm

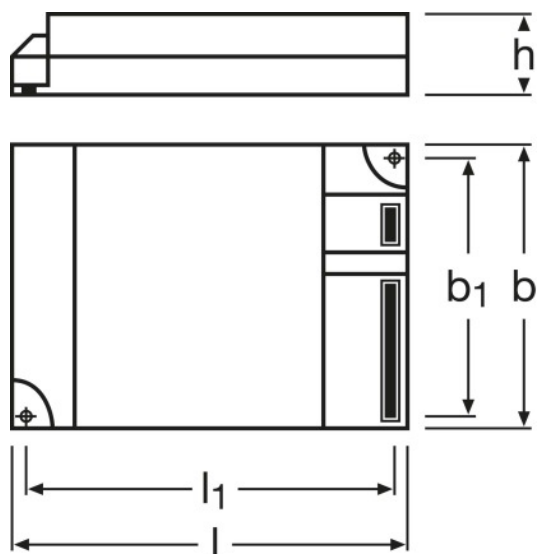
Product description	Product weight	Wire preparation length, input side	Wire preparation length, output side	Cable cross-section, input side
QTi DALI-T/E 1X18...57/220...240 DIM ¹⁾	227.00 g	8.5...9.5 mm ²⁾	8.5...9.5 mm ²⁾	0.5...1.5 mm ²
QTi DALI-T/E 2X18...42/220...240 DIM ¹⁾	247.00 g	8.5...9.5 mm ²⁾	8.5...9.5 mm ²⁾	0.5...1.5 mm ²

¹⁾ Optional cable clamp, see chapter ECG mountings - cable clamp

²⁾ Wire cross-section for push-in contacts: 0.5...1.5 mm²

Product line drawing

Product family datasheet



Product line drawing

QTi DALI-T/E 1X18...57/220...240 DIM | QTi DALI-T/E
2X18...42/220...240 DIM

Temperatures

Product description	Ambient temperature range
QTi DALI-T/E 1X18...57/220...240 DIM ¹⁾	+10...+50 °C
QTi DALI-T/E 2X18...42/220...240 DIM ¹⁾	+10...+50 °C

¹⁾ Optional cable clamp, see chapter ECG mountings - cable clamp

Capabilities

Product description	Dimmable	Suitable for fixtures with prot. class	End of lamp life safety shutdown
QTi DALI-T/E 1X18...57/220...240 DIM ¹⁾	Yes	I	EOL T.2
QTi DALI-T/E 2X18...42/220...240 DIM ¹⁾	Yes	I	EOL T.2

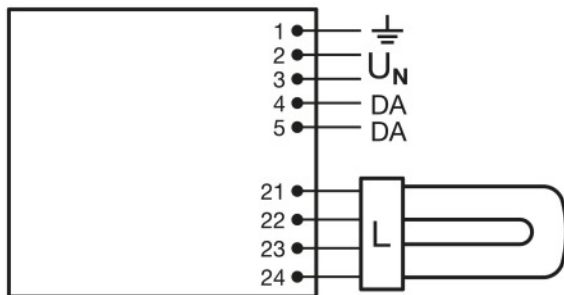
¹⁾ Optional cable clamp, see chapter ECG mountings - cable clamp

Certificates & standards

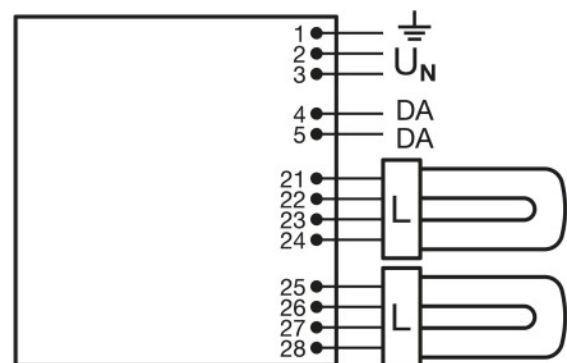
Product description	Approval marks – approval	EEI – Energy Label
QTi DALI-T/E 1X18...57/220...240 DIM ¹⁾	VDE / VDE-EMC / ENEC 10 / EL / GOST / RCM / CCC	A1 BAT
QTi DALI-T/E 2X18...42/220...240 DIM ¹⁾	VDE / VDE-EMC / ENEC 10 / EL / GOST / RCM / CCC	A1 BAT

¹⁾ Optional cable clamp, see chapter ECG mountings - cable clamp

Wiring Diagram



Wiring diagram
QTi DALI-T/E 1X18...57/220...240 DIM



Wiring diagram
QTi DALI-T/E 2X18...42/220...240 DIM

Application advice

For more detailed application information and graphics please see product datasheet.

Sales and Technical Support

Sales and Technical Support www.osram.com